

STURDOFIX®

FASTENERS & FIXINGS

Singhania International Limited

Price List

w.e.f. September 2018



An ISO 9001:2015 Certified Company

- Ready Stocks
- In Time Delivery
- Quality & Customer First



INDEX



NUTS

Nylock Nuts	1
Flange Nuts	2
Dome Nuts	2
Tee Nut (Four Prong)	2
Flange Nylock Nut	2
Rivet Nut / Insert Nut	3
Wing Nut	3
Concrete Nail - Hardened - WZP	3
Hex Nuts	3
Square Weld Nuts (Plain)	3



ANCHORS

Anchor Fasteners	4
------------------	---



BOLTS

Hex Bolts UNC	5
Hex Bolts (Full Thread)-Metric	6
Hex Bolts (Half Thread)-Metric	7
Socket Head Cap Screws (Allen Bolts) DIN 912	8-9
Socket Head Cap Screws (Allen Bolts) BS 2470	10
Socket Countersunk (CSK) Screws DIN 7991	11
Socket Set Screws 45H (Cup Point - Knurled) DIN 916	12
Socket Button Head Cap Screws ISO 7380	13



SCREWS

Self Drilling Screw	14
Drywall Screw	15
Chipboard Screw	15



WASHERS

Spring Washers (EN 42)	16
------------------------	----



Nylock Nuts

DIN 982-ZP

SNo.	Size	ITEM CODE	Pitch	Across Flat	Height	Packing (Pcs/Carton)	PRICE
1.	M3	SI00001	0.6	5.45	4	60000	0.21
2.	M4	SI00002	0.7	6.85	5.8	30000	0.22
3.	M4	SI00003	0.8	6.85	5.8	30000	0.22
4.	M5	SI00004	0.8	7.8	6.1	20000	0.27
5.	M6	SI00005	1	9.8	8	9000	0.41
6.	M6	SI00032	1	9.8	8	8500	0.41
7.	M8	SI00006	1	12.8	9.15	4500	0.78
8.	M8	SI00007	1.25	12.8	9.15	4500	0.74
9.	M8	SI00008	1.25	12.8	9.15	4400	0.74
10.	M10	SI00009	1	16.8	11.2	2000	1.65
11.	M10	SI00010	1.25	16.8	11.2	2000	1.62
12.	M10	SI00011	1.5	16.8	11.2	2000	1.61
13.	M12	SI00012	1.25	18.8	13.8	1400	2.50
14.	M12	SI00013	1.5	18.8	13.8	1400	2.47
15.	M12	SI00014	1.75	18.8	13.8	1400	2.46
16.	M12	SI00015	1.75	18.8	13.8	1300	2.46
17.	M14	SI00016	1.5	21.7	15.7	900	3.70
18.	M14	SI00017	2	21.7	15.7	900	3.67
19.	M16	SI00018	1.5	23.8	17.7	700	4.87
20.	M16	SI00019	2	23.8	17.7	700	4.85
21.	M18	SI00020	1.5	26.6	19.5	500	7.65
22.	M18	SI00021	2.5	26.6	19.5	500	7.59
23.	M20	SI00022	1.5	29.7	21.2	350	9.83
24.	M20	SI00023	2.5	29.7	21.2	350	9.75
25.	M20	SI00031	2.5	29.7	21.2	400	9.75
26.	M22	SI00024	3	31.7	24.5	200	17.80
27.	M24	SI00025	3	35.7	27.5	200	20.30

DIN 985-ZP

SNo.	Size	ITEM CODE	Pitch	Across Flat	Height	Packing (Pcs/Carton)	PRICE
1.	M3	SI00251	0.5	5.45	4	60000	0.20
2.	M4	SI00252	0.7	6.85	5.1	30000	0.22
3.	M5	SI00253	0.8	7.9	4.85	25000	0.24
4.	M6	SI00254	1	9.8	5.85	12500	0.32
5.	M7	SI00279	1			9000	0.51
6.	M8	SI00255	1.25	12.8	7.8	5500	0.62
7.	M10	SI00256	1.25	16.8	9.8	2500	1.37
8.	M10	SI00257	1.5	16.8	9.8	2500	1.35
9.	M12	SI00258	1.25	18.7	11.7	1700	2.00
10.	M12	SI00259	1.5	18.7	11.7	1700	1.98
11.	M12	SI00276	1.5	18.7	11.7	1500	1.98
12.	M12	SI00260	1.75	18.7	11.7	1700	1.97
13.	M12	SI00261	1.75	18.7	11.7	1500	1.97
14.	M14	SI00262	1.5	21.7	13.8	1100	3.22
15.	M14	SI00263	2	21.7	13.8	1100	3.20
16.	M16	SI00264	1.5	24	15.7	850	4.14
17.	M16	SI00265	2	24	15.7	850	4.12
18.	M16	SI00275	2	24	15.7	800	4.12
19.	M18	SI00266	2.5	26.6	17.7	550	6.65
20.	M20	SI00267	1.5	29.7	19.8	400	8.47
21.	M20	SI00268	2.5	29.7	19.8	400	8.42
22.	M22	SI00269	3	31.6	21.7	350	12.36
23.	M24	SI00270	3	35.7	23.4	240	16.30
24.	M27	SI00271	3.5	40.5	26.5	160	26.48
25.	M27	SI00272	3	40.5	26.5	160	26.48
26.	M30	SI00273	2	45.3	30	120	36.72
27.	M30	SI00274	3.5	45.3	30	120	36.49

Inch Size Nylock Nuts

ANSI Standard

SNo.	Size	ITEM CODE	Pitch	Across Flat	Packing (Pcs/Carton)	PRICE
1.	3/16 UNC	SI00501	7.85	6.1	20000	0.29
2.	10# UNC	SI00502	9.41	6.2	11000	0.43
3.	1/4 UNC	SI00503	11	7.7	7000	0.55
4.	5/16 UNC	SI00504	2.5	8.65	5000	0.72
5.	3/8 UNC	SI00505	14	11.3	3000	1.15
6.	7/16 UNC	SI00506	16	11.3	2700	1.45
7.	7/16 UNC	SI00507	16	11.3	2500	1.45
8.	1/2 UNC	SI00508	19	15	1300	2.64
9.	9/16 UNC	SI00509	21.7	16.3	800	4.24
10.	5/8 UNC	SI00510	24	19	650	5.72
11.	3/4 UNC	SI00511	26.7	22	450	8.34
12.	7/8 UNC	SI00512	32.5	25	300	14.54

SNo.	Size	ITEM CODE	Pitch	Across Flat	Packing (Pcs/Carton)	PRICE
12.	1 UNC	SI00513	36	27.2	200	20.48
13.	1/4 UNF	SI00601	11	7.7	7000	0.55
14.	5/16 UNF	SI00602	12.5	8.65	5000	0.72
15.	3/8 UNF	SI00603	14	11.3	3000	1.17
16.	7/16 UNF	SI00604	16	11.3	2700	1.46
17.	7/16 UNF	SI00611	16	11.3	2500	1.46
18.	1/2 UNF	SI00605	19	15	1300	2.65
19.	9/16 UNF	SI00606	21.7	16.3	800	4.26
20.	5/8 UNF	SI00607	24	19	650	5.74
21.	3/4 UNF	SI00608	26.7	22	450	8.37
22.	7/8 UNF	SI00609	32.5	25	300	14.59
23.	1 UNF	SI00610	36	27.2	200	20.60



BS Standard

SNo.	Size	ITEM CODE	Across Flat	Height	Packing (Pcs/Carton)	PRICE
1.	3/16 BSW	SI00701	7.85	6.1	20000	0.29
2.	1/4 BSW	SI00702	11	7.7	7000	0.55
3.	1/4 BSW	SI00703	11	7.7	7200	0.55
4.	5/16 BSW	SI00704	12.5	8.65	5000	0.72
5.	3/8 BSW	SI00705	14	11.3	3100	1.17
6.	1/2 BSW	SI00706	20.5	14	1100	3.31
7.	5/8 BSW	SI00707	25.2	16	650	6.05
8.	3/4 BSW	SI00708	29.7	18.5	450	8.90
9.	3/8 BSF	SI00801	15	12.5	2500	1.58
10.	1/2 BSF	SI00802	20.5	17	900	3.86
11.	7/16 BSF	SI00803	17.8	13.5	1300	2.38

SS304 (A2-70) Nylock Nuts - DIN 982

SNo.	Size	ITEM CODE	Pitch	Across Flat	Height	Packing (Pcs/Carton)	PRICE
1.	M5	SI00026	0.8	7.8	6.1	18000	0.89
2.	M6	SI00027	1	9.81	8	8500	1.27
3.	M8	SI00028	1.25	2.8	9.15	4000	2.54
4.	M10	SI00029	1.5	16.8	11.2	2000	4.53
5.	M12	SI00030	1.75	18.8	13.8	1200	6.98
6.	M16	SI00031	2	23.8	17.8	800	14.00

Flange Nut - Inch Series

S No.	Size	ITEM CODE	Finish	Packing (Pcs/Carton)	PRICE
1.	3/16 UNC	SI01301	Plain		0.30
2.	5/32 UNC	SI01302	Plain		0.27
3.	5/16 BSW	SI01401	Plain		0.58

Flange Nut - DIN 6923 - Plain

SNo.	Size	ITEM CODE	Pitch	Packing (Pcs/Carton)	PRICE
1.	M4	SI01108	0.7	25000	0.29
2.	M4.5		0.7	25000	0.34
3.	M5	SI01109	0.8	15000	0.29
4.	M5 GNG	SI01111	0.8	18000	0.31
5.	M6	SI01112	1	8000	0.38
6.	M6 - Small	SI01113	1	9000	0.35
7.	M8	SI01114	1.25		0.78
8.	M8 - Small	SI01115	1.25		0.67

Flange Nut - DIN 6923 - YZP

SNo.	Size	ITEM CODE	Pitch	Packing (Pcs/Carton)	PRICE
1.	M3	SI01101	0.6	38000	0.25
2.	M4	SI01102	0.7	21000	0.29
3.	M5	SI01103	0.8	15000	0.30
4.	M6	SI01104	1	9650	0.40
5.	M6	SI01105	1	8500	0.40
6.	M8	SI01106	1.25	3900	0.82
7.	M10	SI01107	1.5	2200	1.40
8.	M12	SI01108	1.75	1300	2.50

Dome Nut - DIN 1587 - WZP

SNo.	Size	ITEM CODE	Pitch	Packing (Pcs/Carton)	PRICE
1.	M3	SI01001	0.6	36000	0.41
2.	M4	SI01002	0.7	16000	0.42
3.	M5	SI01003	0.8	12000	0.44
4.	M6	SI01004	1	6000	0.60
5.	M8	SI01005	1.25	2800	1.15
6.	M10	SI01006	1.5	1300	2.30
7.	M12	SI01007	1.5	850	3.44
8.	M12	SI01008	1.75	850	3.42
9.	M14	SI01009	2	600	5.64
10.	M16	SI01010	2	450	6.88
11.	M20	SI01011	2.5	200	20.47
12.	M24	SI01012	3	150	28.47

Tee Nut (Four Prong) DIN 1624 - WZP

SNo.	Size	ITEM CODE	Pitch	Packing (Pcs/Carton)	PRICE
1.	M4	SI01506	0.7	12000	0.60
2.	M5	SI01501	0.8	8000	0.64
3.	M6	SI01502	1	6000	0.71
4.	M8	SI01503	1.25	4000	1.01
5.	M10	SI01504	1.5	3000	1.44

Flange Nylock Nut DIN 6926 - WZP

SNo.	Size	ITEM CODE	Pitch	Packing (Pcs/Carton)	PRICE
1.	M6	SI01801	1	6000	0.83
2.	M8	SI01802	1.25	3000	1.48
3.	M10	SI01803	1.5	1800	2.30
4.	M12	SI01804	1.75	1000	3.60



Rivet Nut / Insert Nut (Flat Head) Knurled Body - ZP

SNo.	Size	ITEM CODE	Pitch	Packing (Pcs/Carton)	PRICE
1.	M3 - WZP	SI03007	0.6	28000	0.55
2.	M4 - WZP	SI03008	0.7	21000	0.56
3.	M5 - WZP	SI03009	0.8	14000	0.62
4.	M6 - WZP	SI03010	1	7000	0.73
5.	M8 - WZP	SI03011	1.25	4000	1.29
6.	M10 - WZP	SI03012	1.5	2400	1.89
7.	M6 - YZP	SI03004	1	7000	0.73
8.	M8 - YZP	SI03005	1.25	4000	1.29
9.	M10 - YZP	SI03006	1.5	2400	1.89

Hex Nuts - ISO 4032 - Black (Class 8)

SNo.	Size	ITEM CODE	Pitch	Packing (Pcs/Carton)	PRICE
1.	M5		0.8		0.18
2.	M6		1		0.32
3.	M8		1.25		0.52
4.	M10		1.5		1.16
5.	M12	SI02601	1.75		1.96
6.	M14		2		2.90
7.	M16	SI02602	2		3.88
8.	M18		2.5		6.10
9.	M20	SI02603	2.5		8.95
10.	M22	SI02604	2.5		13.60
11.	M24	SI02605	3		18.60
12.	M27		3		27.15
13.	M30		3.5		35.75
14.	M33		3.5		42.90
15.	M36		4		47.15
16.	M42		4.5		55.75

Rivet Nut / Insert Nut (Reduced Head) Knurled Body - ZP

SNo.	Size	ITEM CODE	Pitch	Packing (Pcs/Carton)	PRICE
1.	M5 - WZP	SI03204	0.8	16000	0.62
2.	M6 - YZP	SI03202	1	8000	0.73
3.	M6 - WZP	SI03205	1	8000	0.73
4.	M8 - YZP	SI03203	1.25	5000	1.29
5.	M8 - WZP	SI03206	1.25	5000	1.29

Rivet Nut /Flat HD Half Hex Body-ZP-White

SNo.	Size	ITEM CODE	Pitch	Packing (Pcs/Carton)	PRICE
1.	M4-WZP	SI03401	0.7	21000	0.59
2.	M6-WZP	SI03402	1	6000	0.73
3.	M8-WZP	SI03403	1.25	3500	1.27

Square Weld Nuts (Plain)

SNo.	Size	ITEM CODE	Pitch	Packing (Pcs/Carton)	PRICE
1.	M5		0.8		0.30
2.	M6		1		0.31
3.	M8		1.25		0.53
4.	M10		1.5		1.10
5.	M12		1.75		1.95

Wing Nut - Inch Series - WZP

SNo.	Size	ITEM CODE	Packing (Pcs/Carton)	PRICE
1.	1/4 UNC	SI01701	6000	1.14
2.	5/16 UNC	SI01702	4000	1.44
3.	3/8 UNC	SI01703	2500	2.36
4.	1/2 UNC	SI01704	1600	4.07
5.	3/16 UNC	SI01705	8000	0.9

Wing Nut - DIN 315 - WZP

SNo.	Size	ITEM CODE	Pitch	Packing (Pcs/Carton)	PRICE
1.	M4	SI01601	0.7	8000	0.84
2.	M5	SI01602	0.8	8000	0.85
3.	M6	SI01603	1	6000	1.12
4.	M8	SI01604	1.25	4000	1.38
5.	M10	SI01605	1.5	2500	2.30
6.	M12	SI01606	1.75	1600	3.96
7.	M14	SI01607	2	400	25.88
8.	M16	SI01608	2	400	25.64

Concrete Nail (Hardened - WZP)

SNo.	Size	ITEM CODE	Weight (Kgs)	PRICE /KG (Rs.)
1.	1"	SI09201	25 KG	113.00
2.	1.5"	SI09202	25 KG	113.00
3.	2"	SI09203	25 KG	111.00
4.	2.5"	SI09204	25 KG	111.00
5.	3"	SI09205	25 KG	111.00
6.	3.5"	SI09206	25 KG	111.00
7.	4"	SI09207	25 KG	111.00

Plating - No Guarantee can be given for products which are plated by users or outside platers



Anchor Fasteners

Sr. No.	Size	Item Code	Pcs / Box	Boxes / Carton	Pcs / Carton	Price Rs
Wedge Anchor (Through Bolt) - With Nut & Washer - WZP						
1	8 x 75	SI04001	100	8	800	3.72
2	8 x 100	SI04002	90	8	720	4.74
3	8 x 120	SI04003	80	8	640	5.82
4	10 x 75	SI04004	75	8	600	6.06
5	10 x 100	SI04005	60	8	480	7.44
6	10x 120	SI04006	50	8	400	8.46
7	10 x 125	SI04007	50	8	400	8.60
8	10 x 150	SI04008	45	8	360	10.08
9	10 x 200	SI04009	60	4	240	15.12
10	12 x 75	SI04010	45	8	360	8.64
11	12 x 100	SI04011	40	8	320	9.60
12	12 x 100	SI04012	25	10	250	9.60
13	12 x 120	SI04013	30	8	240	12.00
14	12 x 120	SI04014	25	10	250	12.00
15	12 x 125	SI04015	30	8	240	12.40
16	12 x 150	SI04016	30	8	240	14.22
17	12 x 200	SI04017	45	4	180	18.12
18	16 x 100	SI04018	20	8	160	18.96
19	16 X 120	SI04032	20	8	160	21.72
20	16 x 125	SI04019	20	8	160	22.00
21	16 x 150	SI04020	15	8	120	25.50
22	16 x 200	SI04021	25	4	100	34.20
23	16 x 250	SI04022	20	4	80	42.00
24	16 x 300	SI04023	15	4	60	51.00
25	20 x 150	SI04024	10	8	80	39.72
26	20 x 200	SI04025	15	4	60	50.04
27	20 x 250	SI04026	13	4	52	65.04
28	20 x 300	SI04027	10	4	40	96.12
29	24 x 150	SI04028	8	8	64	87.24
30	24 x 200	SI04029	8	4	32	114.00
31	24 x 250	SI04030	7	4	28	138.00
32	24 x 300	SI04031	6	4	24	150.00

Nylon Frame Fixing Anchors

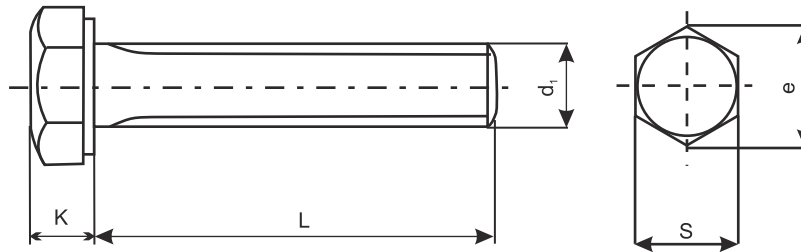
1	8 x 60	SI04601	100	20	2000	2.10
2	8 x 80	SI04602	100	18	1800	2.70
3	8 x 100	SI04603	100	15	1500	3.20
4	8 x 120	SI04604	100	12	1200	4.00
5	10 x 80	SI04605	100	10	1000	4.40
6	10 x 100	SI04606	100	9	900	5.10
7	10 x 120	SI04607	100	9	900	6.00
8	10 x 140	SI04608	100	9	900	7.00
9	10 x 160	SI04609	100	7	700	8.10

Drop In Anchors (White Zinc Plated)

1	M6	SI04701	200	16	3200	1.32
2	M8	SI04702	100	20	2000	1.77
3	M10	SI04703	100	12	1200	3.07
4	M12	SI04704	100	8	800	7.65
5	M16	SI04705	100	4	400	14.92



Hex Bolts UNC

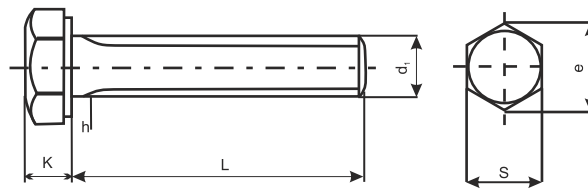


Size	3/16"	1/4"	5/16"	3/8"	7/16"	1/2"	5/8"	3/4"	7/8"	1"
Length										
1/4	109									
3/8	126	157								
1/2	111	175	273							
5/8	101	196	300	549						
3/4	114	215	320	508	880	1152				
1	130	257	369	590	1022	1276	2232			
1 1/4	161	294	422	668	1131	1416	2455	3914	7491	
1 1/2	182	331	476	748	1247	1550	2680	4239	8163	8210
1 3/4	196	368	529	827	1375	1699	2904	4579	8850	8818
2	218	405	582	906	1492	1841	3119	4909	9479	9337
2 1/4	274	522	635	985	1612	1984	3346	5271	10050	9921
2 1/2	303	566	688	1065	1729	2126	3563	5559	10695	10582
3	351	654	795	1222	1964	2413	4013	6238	11976	11710
3 1/2	392	741	900	1656	2198	2695	4464	6901	13514	12870
4	435	829	1007	1845	2433	2982	4909	7559	14286	14144
4 1/2		917	1391	2036	2911	3914	6421	8258	15758	15198
5		1003	1521	2223	3169	4254	6969	8929	17241	16420
5 1/2		1082	1641	2398	3401	4571	7453	11429	18349	20906
6		1175	1784	2605	3679	4940	8011	12245	19802	22556
6 1/2				2801		5291	8529	12889	21053	23810
7				3034		5714	9119	13714	22472	25210
7 1/2				3204		6036	9577	14528	23529	26374
8				3395		6397	10084	15444	25000	28103

1. Specifications : Generally confirming to ANSI B 18.2.1
2. Threads : Unified Coarse, 2A as per ANSI B1.1
3. Mechanical Properties : Grade 5 as per SAE J 429
4. Material : High grade alloy steel



Hex Bolts (Full Thread) - Metric - DIN 933

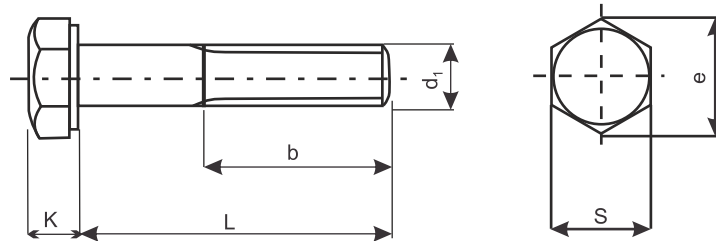


Size	M3	M4	M5	M6	M8	M10	M12	M14	M16	M18	M20	M22	M24
Length													
6	114	114	245	275									
8	128	128	125	128	470	860							
10	107	127	105	140	325	825	1340	2771					
12	112	130	103	126	252	614	1273	2414	4023				
16	135	135	120	146	285	494	989	2271	3299	6357	8500		
20	154	155	138	166	316	545	797	1371	1996	5783	6811		
25	156	180	160	190	357	609	877	1363	1805	3832	6114		
30	184	205	183	215	399	674	969	1489	1977	4160	5743		
35	204	230	205	139	440	738	1062	1617	2147	4480	5179	10343	
40	246	255	227	264	481	802	1155	1746	2371	480	4429	8271	8750
45		279	250	289	522	867	1247	1875	2497	5120	4243	8240	9250
50		304	325	314	561	931	1337	2003	3649	5440	4526	8760	7464
55		239	352	340	602	995	1430	2129	2929	5800	4783	9280	7844
60		354	378	363	643	1062	1497	2258	3009	6120	5040	9760	8279
65		379	405	389	684	1126	1615	2386	3163	6440	5323	10280	8713
70		429	577	411	725	1191	1707	2517	3343	6760	5580	10800	9120
75		504	611	437	766	1255	1800	2623	3523	7080	5837	11280	9500
80		851	646	463	807	1319	1893	2751	3703	7440	6120	11800	9907
85		896	765	486	489	1383	1985	2880	3857	7760	6351	12360	10287
90		941	804	511	890	1448	2078	3009	4037	8080	6634	12920	10694
100		985	881	560	969	1576	2263	3266	4371	8720	7174	13880	11509
110				761	1285	2087	2992	4306	5783	10743	7714	14920	12350
120				893	1402	2244	3206	4620	6191	11474	8229	16000	13164
125				914	1457	2326	3316	4777	6380	11840	10371	18834	15714
130				939	1512	2401	3426	4934	7500	12251	10686	19383	16186
140				993	1603	2558	3646	5249	8000	12983	11345	20571	17066
150				1050	1691	2715	3866	5563	8464	13714	11974	21760	18071
160						2832	4086		10843	14446	12634	22857	18970
170						2939	4369		11443	15177	13420	24046	22607
175						3049	4494		11657	15589	13703	24594	23357
180						3206	4620		11829	16000	14017	25097	24143
190						3331	4840		12471	16823	14677	26286	24786
200						3492	5060		16371	17463	15243	27520	25893

- Note : All sizes are full thread
- Threads : ISO Metric , 5g6g as per IS 4218
- Mechanical Properties : Property class 8.8 as per IS 1367 , ISO 898 Part - I
- Material : High grade alloy steel.



Hex Bolts (Half Thread) - Metric - DIN 931



Size	M4	M5	M6	M8	M10	M12	M 14	M 16	M 18	M 20	M 22	M 24
Length												
25	201	174										
30	231	201	230									
35	260	229	261	468								
40	291	257	291	522	900							
45	323	285	323	571	977	1378						
50	354	375	351	622	1057	1494	2109					
55	386	409	383	663	1126	1610	2285	2957				
60	417	442	411	715	1206	1723	2420	3163				
65	449	476	439	766	1286	1808	2541	3369	6840	5631		
70	480	679	466	818	1365	1921	2700	3574	7240	5940	11240	
75	569	723	493	867	1445	2034	2854	3780	7640	6249	11840	
80	966	768	520	918	1525	31250	3009	3986	8000	6557	12440	10640
85	1022	914	547	968	1605	2265	3163	4191	8400	6866	13040	11129
90	1078	964	574	1018	1684	2376	3266	4397	8800	7174	13640	11617
100	1189	1067	629	1119	1844	2597	3574	4783	9600	7791	14800	12594
110			1078	1222	2451	3426	4746	6349	11886	8409	16000	13571
120			1425	1363	2646	3709	5154	6851	12800	9026	17200	14521
125				1416	2744	3850	5311	7040	13166	11377	20114	17207
130			1538	1509	2841	3991	5469	8214	13531	11754	20571	17600
140			1692	1661	3036	4274	5814	8786	14446	12509	21943	18700
150			1861	1788	3231	4557	6160	9357	15360	13263	23314	19800
160				1878	3344	4840	6506	11914	16274	14017	24686	20900
170				1979	3405	5123	6851	12600	17189	14771	26057	25000
175				2064	3730	5264	7024	12943	17646	15149	26743	25625
180				2169	3785	5406	7197	13286	18103	15526	27429	26250
190				2253	4102	5689	7543	13971	19017	16311	28800	27500
200				2389	4200	5971	7889	14657	19931	17097	30171	28750

- Note : All sizes are half thread
- Threads : ISO Metric , 5g6g as per IS 4218
- Mechanical Properties : Property class 8.8 as per IS 1367 , ISO 898 Part - I
- Material : High grade alloy steel.



Socket Head Cap Screws (Allen Bolts) DIN 912 - 12.9

Size	M2	M2.5	M3	M4	M5	M6	M8	M10	M12	M14	M16
Length	KEY M1.5	KEY M2	KEY M2.5	KEY M3	KEY M4	KEY M5	KEY M6	KEY M8	KEY M10	KEY M12	KEY M14
4	580	625	305								
5	348	425	207	190							
6	369	416	181	190	172	252					
8	369	416	160	160	172	208					
10	438	458	145	141	136	194	400				
12	489	519	145	145	138	194	427	713			
14			216	255	184	229	385	713			
16	538	558	160	164	145	204	406	713	1218		
18			231	290	262	232	455	713	1218		
20	574	597	170	189	170	216	427	686	1020		
22				303	282	275	476	802	1198		
25	689	798		200	184*	255	455	732	1118	3042	3124
30				231	216*	279	507	858	1173	2802	2583
35			173	282	257	315*	539	913	1239	2263	2712
40			225	316	277	352*	597*	971	1338	2320	2912
45			275	362	317	376*	652*	1070*	1470	2337	3083
50			320	431	348	413	714*	1159*	1592	2449	3231
55			467	666	421	473	830	1241	1776	2628	3549
60			615	1132	551	552	858	1350	1847	2806	3549
65				1132	794	605	944	1450	1980	2997	3833
70				1186	954	615	1062	1555	2102	3189	4050
75			872	1384	1132	744	1179	1606	2223	3342	4209
80			976	2280	1199	863	1442	1687	2345	3572	4642
85							1522	1778	2520	3780	4862
90				2490	1606	1026	1573	1822	2690	4018	5099
95							1615	2056	2878	4210	5468
100				2600	2216	1317	1617	2056	2878	4210	5468
105							2172	2252	3247	4720	5905
110				2840	2750	2064	2172	2252	3247	4720	5905
120					3014	2649	2329	3181	3667	7334	6405
125								3470	4270	8230	6750
130					3756	2800	2965	3570	4378	8335	7050
140					4192	3890	3173	4046	4944	8544	7397
150					4958	4466	3420	4358	5823	9338	8176
160					6416	7513	4466	6027	7620	11321	11681
170					6489	8259	4963	6562	7657	12517	12198
180					7254	8800	5816	7373	8893	12836	12915
190					8020	9899	6698	8263	9064	14165	13769
200					8786	9899	8112	9660	10202	16324	14207
210							24240	21878	14298	18257	25163
220							24240	21878	17746	19861	25163
230							28446	24727		20753	26472
240							28968	24727	21412	21420	29370
250							29750	27918	25270	22099	33529
260							30998	31488	25220		38727
270							32537	34136	32710		40185
280							34198	34136	32710		43345
290							36506	36286			46134
300							37765	37274	35329		48383



Socket Head Cap Screws (Allen Bolts) DIN 912 - 12.9

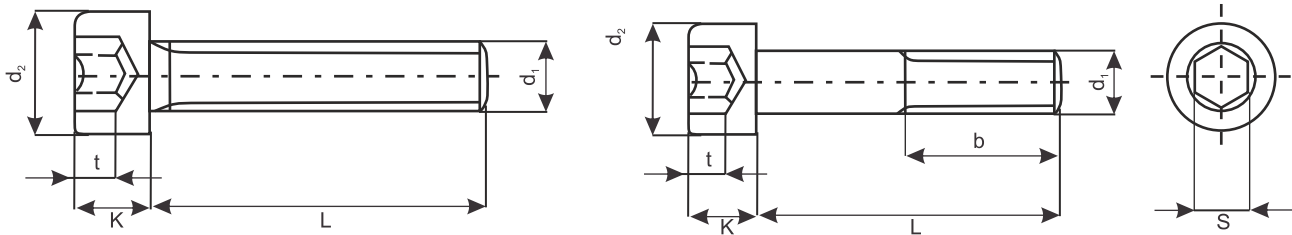
Size	M18	M20	M22	M24	M27	M30	M33	M36	M42
Length									
30	7721								
35	7781	6532							
40	6353	6064		11230					
45	6597	6201		11262					
50	6952	6367	10760	12735	25987	25442			
55	7254	6467				25643			
60	7385	6626	11937	13970	26085	25751			
65	7687	6928							
70	7779	7226	12966	14203	22742	25751	42214	58949	
75	8153	8050	13902	15043	23912	25829	44214	58949	
80	8531	8130	14169	15928	24800	27858	47685	55284	
85	9703	8590							
90	9703	8590	15774	16633	27311	29140	51757	60351	
95	10793	9457							
100	10793	9457	16976	16147	29422	29199	54026	62051	150039
105	12167	10166							
110	12167	10166	18848	19354	30952	32998	56975	65429	
120	13540	12257	20452	20130	32742	32859	62213	68252	165484
130	14350	13100	25412	21980	36875	35140	65123	70507	
140	14350	13968	29647	23700	38206	36510	69156	77846	187507
150	17026	14837	39530	25167	38699	38708	72612	80341	
160	21823	16909	51292	30477	61985	59992	96123	110277	209530
170	23323	18447	54571	32215	69457	66272	105720	119624	
180	24774	21922	54824	34086	69457	66272	105720	119624	231553
190	27274	23860	58298	37963	94853	72209	115298	129322	
200	29601	26507	58825	41706	94853	72209	115298	129322	248706
210		28507		42315	94125	89597	144026	156714	
220		30405		46800	94125	89597	144026	156714	
230		39849		49513	104526	96238	154261	179321	
240		39849		49513	104526	96238	154261	179321	
250		47836		50715	112321	102126	160412	172422	
260		47836		53333	112321	102126	160412	172422	
270		52102		54500	121516	109588	170315	183808	
280		56366		55753	129146	109588	170315	183808	
290		61471		60900	129146	116572	184439	195274	
300		66577		67149	129146	116572	184439	195274	
320		73189		70400		159300		229132	
340		79800		74650		174150		229808	
350		84000		80948		238096		323670	
360						248385		323670	
380						268168		344824	
400						302964		381069	
420						319526		402225	
460						336088		423380	
480						352326		442535	
500						368563		465219	

1. Specification : Generally Conforming to IS 2269, DIN 912, ISO 4762
2. Threads : ISO Metric (Coarse Series) 5g6g as per IS 4218, ISO 261, ISO 965.
3. Material : High Grade alloy steel.
4. Mechanical Properties : Property Class 12.9 as per IS 1.367, ISO 898 Part I.
5. Plating : No guarantee can be given for products which are plated by users or by outside platers, who may not have considered hydrogen embrittlement problem.

Items are Full thread
***Available in both half and full thread**



Socket Head Cap Screws (Allen Bolts) BS 2470 - 12.9



Size	3/16"	1/4"	5/16"	3/8"	7/16"	1/2"	5/8"	3/4"	7/8"	1"
Length										
1/4"										
3/8"	221	241								
1/2"	221	238	403	606						
5/8"	221	238	403	652						
3/4"	235	256	416	534		1385				
1"	264	310	465	607	1244	1385	3052			
1.25"	332	349	498	704	1382	1555	2865	5259		
1.5"	380	402	584	802	1491	1725	3012	6048	12350	
1.75"	459	455	640	862	1606	1895	3572	7371	16080	
2"	502	516	693	984	1834	2066	3600	6700	16185	
2.25"	525	716	871	1093		2308	3645	7266		
2.5"	1034	716	978	1178	2220	2503	3888	7266	18055	
2.75"	1176	795	1276	1336		2673	4253	7886		
3"	1590	1000	1276	1398	2808	2843	4496	7886	21009	25091
3.25"		1239	1611	1824		3098	4739	8510		
3.5"		1456	1611	1824	3738	3366	5103	8510	21009	29440
4"		2012	2016	2051	4329	3584	5893	9332	24694	30360
4.5"			3230	3098		4314	7109	10936	27577	35626
5"			4072	3780		4678	7777	12152	31443	35637
5.5"			4696	4268		5286	8628	13911		
6"			5430	4636		5964	9478	16791	54580	41740
6.5"				10635		9200	14255	19534		
7"				10635		9675	15231	22275	61449	54747
7.5"						9987	18894	26174		126927
8"						11230	20532	26174	66495	
9"						19134	22847	41600		
10"						22260	31684	59248		135975
12"						33345	41677			

1. Specification : Generally conforming to BS 2470.
2. Thread : BS Whitworth fine, medium as per BS 84.
3. Material : High grade alloy steel.
4. Mechanical Properties : As per BS 2470.
5. Plating : No guarantee can be given for products which are plated by users or by outside platers, who may not have considered hydrogen embrittlement problem.

Items are Full thread
***Available in both half and full thread**



Socket Countersunk (CSK) Screws DIN 7991 - 10.9/12.9

Size	M2	M2.5	M3	M4	M5	M6	M8	M10	M12	M16	M20	M24
Length												
3	361											
4	371	342										
5	377	346										
6	383	352	167	146								
8	392	355	174	146	175	222						
10	398	361	174	155	168	209	594					
12	408	371	186	155	168	197	366					
16	433	383	189	166	176	214	386	649				
20	452	414	236	175	193	235	425	690	1427			
25			313	205	225	263	491	786	1222	4610		
30			452	239	261	331	538	904	1463	4610		
35			469	568	282	343	626	1006	1571	4867		
40			488	608	355	468	679	1151	1744	5124	13778	
45			505	608	509	721	1068	1440	2016	5381	14103	
50			558	721	573	775	1112	1560	2042	5648	14428	22596
55				923	701	901	1306	1700	2548	5969	15078	20060
60				1004	790	1117	1660	1918	2566	6288	15078	19569
65					910	1463	1703	2068	3194	6823	15735	21559
70					1010	1720	2036	2218	3557	7253	15735	21559
75					1260	1905	2510	3501	3822	7579	16385	24426
80						2107	2889	3832	4134	8147	17233	24426
90						2640	3620	4482	4784	9757	19026	25942
100						3020	4416	5241	5538	10930	20815	27936
110										14680	33000	42500
120										15160	34593	44500
130										15540	34585	46500
140										16054	34915	48500
150										16600	35243	50532

Inch Series (BSW)

Size	1/4"	5/16"	3/8"	1/2"	5/8"	3/4"
Length						
3/8"	475					
1/2"	467	624				
3/4"	501	609	950	2239		
1"	572	696	1098	2691	5012	
1.1/4"	653	814	1264	2990	4929	
1.1/2"	913	1115	1726	3377	5520	9661
2"	1060	1478	2166	3903	6112	11636
2.1/2"				4370	8191	
3"				4869	9649	

1. Material : High grade alloy steel.
2. Plating : No guarantee can be given for products which are plated by users or by outside platers, who may not have considered hydrogen embrittlement problem.



Socket Set Screws 45H (Cup Point - Knurled) DIN 916

Size	M3	M4	M5	M6	M8	M10	M12	M16
Length	KEY M1.5	KEY M2	KEY M2.5	KEY M3	KEY M4	KEY M5	KEY M6	KEY M8
3	100							
4	101	100	312					
5	102	101	89	312				
6	103	106	91	95	323			
8	113	107	100	104	136	385		
10	117	113	110	123	140	210	653	
12	147	120	113	144	147	220	345	
16	314	177	163	164	200	342	429	1113
20	460	281	214	196	246	461	543	1207
25		402	271	217	314	547	691	1460
30		587	430	497	480	601	1012	1918
35			586	570	646	877	1367	2258
40			660	699	837	972	1569	2634
45				917	1110	1800	2951	3278
50				1079	1201	1968	3331	4888
60				1724	1947	2602	4094	

1. Note : All sizes are full thread
2. Specifications : Generally conforming to IS 6761, ISO 10642.
3. Threads : ISO Metric , 5g6g as per IS 4218
4. Mechanical Properties : Property class 10.9 as per IS 1367 , ISO 898 Part - I
5. Material : High grade alloy steel.

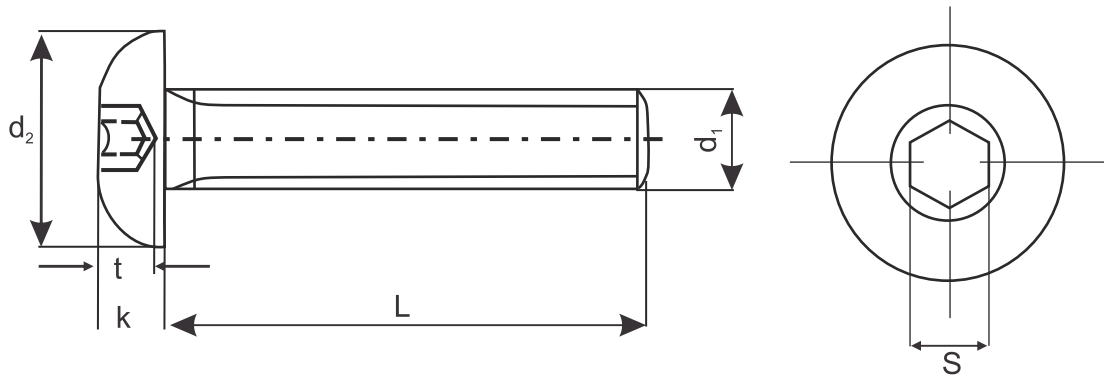
Inch Series (BSW)

Size	3/16"	1/4"	1/3"	3/8"	1/2"	5/8"	3/4"
Length							
3/16"	114	333					
1/4"	114	113	345				
5/16"	114	123	131	384			
3/8"	114	126	134	219			
1/2"	138	146	193	266	550		
5/8"	236	186	224	338	618	1176	
3/4"	253	228	297	404	721	1387	2479
1"	322	320	473	560	948	1773	2779
1.1/4"		507	606	879	1032	2719	
1.1/2"		629	871	1064	1575	3263	

1. Specifications : As per standard ASME/ ANSI B 18.3
2. Threads : BS whitworth , medium as per BS 84.
3. Mechanical Properties : As per BS 2470.
4. Material : High grade alloy steel.
5. Plating : No guarantee can be given for products which are plated by users or by outside platers, who may not have considered hydrogen embrittlement problem.



Socket Button Head Cap Screw ISO 7380



Size	M3	M4	M5	M6	M8	M10	M12
Length							
4	238	227					
5	238	227					
6	220	220	252				
8	258	161	252	251			
10	276	161	208	228	371		
12	307	170	208	251	368		
16	335	164	220	262	445	785	
20	377	198	226	290	462	828	1860
25	412	234	274	334	539	897	1896
30	479	295	326	383	580	1000	1930
35		328	341	408	612	1103	2138
40		359	380	464	720	1264	2383
45			509	529	1014	1390	2610
50			527	575	1070	1703	2837
60					1430		

1. Threads : ISO Metric , 5g6g as per IS 4218

2. Mechanical Properties : Property class 10.9/12.9 as per IS 1367 , ISO 898 Part - I

3. Material : High grade alloy steel.

4. Plating : No guarantee can be given for products which are plated by users or by outside platers, who may not have considered hydrogen embrittlement problem.



Screws

Sr. No.	Size Metric	Alt. Size	Item Code	Packing (Pcs/ Box)	Boxes / Carton	Packing (Pcs/ Carton)	Price (Rs.)
Hex Head Self Drilling Screws - With EPDM Washer							
1	4.8 X 20mm	#10 - 16 X 20	SI06001	1000	6	6000	760
2	4.8 X 25mm	#10 - 16 X 25	SI06002	600	6	3600	830
3	6.3 X 25mm	#14 - 14 X 25	SI06003	500	6	3000	1370

Hex Flange Head Self Drilling Screws - With EPDM Washer

1	5.5 X 25mm	#12 - 14 X 25	SI06501	600	6	3600	1020
2	5.5 X 35mm	#12 - 14 X 35	SI06502	500	6	3000	1190
3	5.5 X 45mm	#12 - 14 X 45	SI06503	450	6	2700	1380
4	5.5 X 55mm	#12 - 14 X 55	SI06504	350	6	2100	1640
5	5.5 X 68mm	#12 - 14 X 68	SI06505	300	6	1800	1940
6	5.5 X 75mm	#12 - 14 X 75	SI06506	250	6	1500	2240
7	5.5 X 100mm	#12 - 14 X 100	SI06507	200	6	1200	3200

CSK/Flat Head Self Drilling Screw

1	3.5 X 13mm	#6 X 13	SI07001	1000	24	24000	192
2	3.5 X 16mm	#6 X 16	SI07002	1000	24	24000	214
3	3.5 X 19mm	#6 X 19	SI07003	1000	24	24000	244
4	3.5 X 25mm	#6 X 25	SI07004	1000	16	16000	263
5	3.5 X 32mm	#6 X 32	SI07005	1000	16	16000	322
6	3.9 x 16mm	#7 X 16	SI07006	1000	24	24000	226
7	3.9 x 19mm	#7 X 19	SI07007	1000	24	24000	263
8	3.9 x 25mm	#7 X 25	SI07008	1000	16	16000	286
9	3.9 x 32mm	#7 X 32	SI07009	1000	16	16000	358
10	4.2 x 16mm	#8 X 16	SI07010	1000	16	16000	244
11	4.2 x 19mm	#8 X 19	SI07011	1000	16	16000	286
12	4.2 x 25mm	#8 X 25	SI07012	1000	16	16000	316
13	4.2 x 32mm	#8 X 32	SI07013	500	24	12000	393
14	4.2 x 38mm	#8 X 38	SI07014	500	16	8000	524
15	4.2 x 50mm	#8 X 50	SI07015	500	12	6000	572

PAN Head Self Drilling Screw

1	3.5 X 19mm	#6 X 19	SI08001	1000	12	12000	269
2	3.5 X 25mm	#6 X 25	SI08002	1000	12	12000	298
3	4.2 X 13mm	#7 X 13	SI08003	1000	16	16000	292
4	4.2 X 19mm	#7 X 19	SI08004	1000	12	12000	351
5	4.2 X 25mm	#7 X 25	SI08005	1000	12	12000	417
6	4.2 X 32mm	#7 X 32	SI08006	1000	12	12000	489
7	4.2 X 38mm	#7 X 38	SI08007	1000	12	12000	554

Truss Head Self Drilling Screw

1	4.2 x 13mm	#7 X 13	SI08501	1000	20	20000	292
2	4.2 x 19mm	#7 X 19	SI08502	1000	12	12000	351
3	4.2 x 25mm	#7 X 25	SI08503	1000	12	12000	417
4	4.2 x 32mm	#7 X 32	SI08504	500	16	8000	495
5	4.2 x 38mm	#7 X 38	SI08505	500	16	8000	554

**Drywall Screw
Black & Grey Phosphated**

Sr. No.	Size Metric	Alt. Size	Item Code	Packing (Pcs/ Box)	Boxes / Carton	Packing (Pcs/ Carton)	Price (Rs.)
1	3.5 X 16mm	#6 X 16	SI09001	1000	24	24000	152
2	3.5 X 19mm	#6 X 19	SI09002	1000	24	24000	167
3	3.5 X 19mm	#6 X 19	SI09003	1000	20	20000	167
4	3.5 X 25mm	#6 X 25	SI09004	1000	16	16000	196
5	3.5 X 32mm	#6 X 32	SI09005	1000	12	12000	244
6	3.5 X 32mm	#6 X 32	SI09006	1000	16	16000	244
7	3.5 X 38mm	#6 X 38	SI09007	500	16	8000	313
8	3.5 X 38mm	#6 X 38	SI09008	500	12	6000	313
9	3.5 X 50mm	#6 X 50	SI09009	500	12	6000	385
10	3.5 X 60mm	#6 X 60	SI09010	250	16	4000	489
11	3.5 X 75mm	#6 X 75	SI09011	250	16	4000	668
12	4.2 X 25mm	#8 X 25	SI09012	500	18	9000	274
13	4.2 X 32mm	#8 X 32	SI09013	500	18	9000	298
14	4.2 X 38mm	#8 X 38	SI09014	500	12	6000	382
15	4.2 X 100mm	#8 X 100	SI09015	500	12	6000	1073

Chipboard Screws - Zinc Plated

Sr. No.	Size Metric	Item Code	Packing (Pcs/ Box)	Boxes / Carton	Packing (Pcs/ Carton)	Price (Rs.)
1	4 X 16mm	SI09501	1000	20	20000	235
2	4 X 20mm	SI09502	1000	16	16000	248
3	4 X 25mm	SI09503	1000	16	16000	285
4	4 X 30mm	SI09504	1000	12	12000	320
5	4 X 35mm	SI09505	500	16	8000	358
6	4 X 40mm	SI09506	500	16	8000	436
7	4 X 45mm	SI09507	500	16	8000	488
8	4 X 50mm	SI09508	500	16	8000	540
9	4 X 60mm	SI09509	500	16	8000	750
10	5 X 25mm	SI09510	1000	16	16000	540
11	5 X 35mm	SI09511	500	16	8000	600
12	5 X 50mm	SI09512	500	8	4000	810
13	5 X 60mm	SI09513	500	8	4000	1220
14	5 X 75mm	SI09514	500	8	4000	1360
15	5 X 100mm	SI09515	250	16	4000	2500
16	6 X 50mm	SI09516	500	8	4000	1160
17	6 X 75mm	SI09517	500	8	4000	2000
18	6 X 100mm	SI09518	250	16	4000	2850



Spring Washers (EN 42)

Sr. No.	AS PER IS-6735 (DIN 7980) - SQUARE SECTION			
	Nominal Size (mm)	Width (mm)	Thickness (mm)	PRICE (Rs.)
1	3.0	1.0	1.0	133
2	3.5	1.0	1.0	141
3	4.0	1.2	1.2	152
4	5.0	1.6	1.6	205
5	6.0	1.6	1.6	205
6	7.0	1.8	1.8	374
7	8.0	2.0	2.0	342
8	10.0	2.5	2.5	575
9	12.0	2.5	2.5	681
10	14.0	3.0	3.0	1141
11	16.0	3.5	3.5	1711
12	18.0	3.5	3.5	1893
13	20.0	4.5	4.5	3494
14	22.0	4.5	4.5	3912
15	24.0	5.0	5.0	5214
16	27.0	5.0	5.0	5971
17	30.0	6.0	6.0	9232
18	33.0	6.0	6.0	10872
19	36.0	7.0	7.0	15815
20	39.0	7.0	7.0	17110
21	42.0	8.0	8.0	23551
22	45.0	8.0	8.0	25360
23	48.0	8.0	8.0	29240

Sr. No.	AS PER IS-3063 (DIN 127B) - FLAT SECTION			
	Nominal Size (mm)	Width (mm)	Thickness (mm)	PRICE (Rs.)
1	3.0	1.3	0.8	125
2	3.5	1.3	0.8	132
3	4.0	1.5	0.9	150
4	5.0	1.8	1.2	178
5	6.0	2.5	1.6	306
6	7.0	2.5	1.6	374
7	8.0	3.0	2.0	560
8	10.0	3.5	2.2	824
9	12.0	4.0	2.5	1225
10	14.0	4.5	3.0	1893
11	16.0	5.0	3.5	2627
12	18.0	5.0	3.5	3043
13	20.0	6.0	4.0	4345
14	22.0	6.0	4.0	4927
15	24.0	7.0	5.0	7355
16	27.0	7.0	5.0	8200
17	30.0	8.0	6.0	13243
18	33.0	10.0	6.0	20252
19	36.0	10.0	6.0	21213
20	39.0	10.0	6.0	23276
21	42.0	12.0	7.0	29320
22	45.0	12.0	7.0	30224
23	48.0	12.0	7.0	36092

Spring Washers (EN 42) - BS 1802

Sr. No.	AS PER BS 1802 - SQUARE SECTION				
	Nominal Size (inch)	Nominal Size (mm)	Width (mm)	Thickness (mm)	PRICE (Rs.)
1	3/16"	4.76	1.6	1.6	186
2	1/4"	6.35	1.8	1.8	242
3	5/16"	7.94	2.0	2.0	341
4	3/8"	9.53	2.3	2.3	518
5	7/16"	11.11	2.6	2.6	729
6	1/2"	12.70	3.0	3.0	1003
7	9/16"	14.29	3.3	3.3	1323
8	5/8"	15.88	3.7	3.7	1948
9	3/4"	19.05	4.5	4.5	3117
10	7/8"	22.23	5.4	5.4	5430
11	1"	25.40	5.9	5.9	7648

Sr. No.	AS PER BS 1802 - FLAT SECTION				
	Nominal Size (inch)	Nominal Size (mm)	Width (mm)	Thickness (mm)	PRICE (Rs.)
1	3/16"	4.76	2.3	1.2	272
2	1/4"	6.35	2.3	1.6	333
3	5/16"	7.94	3.3	1.6	544
4	3/8"	9.53	3.7	1.6	673
5	7/16"	11.11	4.1	1.6	820
6	1/2"	12.70	4.1	2.3	1235
7	9/16"	14.29	4.9	2.3	1948
8	5/8"	15.88	4.9	3.3	2346
9	3/4"	19.05	5.9	3.3	3531
10	7/8"	22.23	6.4	3.3	4319
11	1"	25.40	7.1	4.7	7878



Spring Washers (EN 42)

Sr. No.	AS PER IS-6735 (DIN 7980) - SQUARE SECTION			
	Nominal Size (mm)	Width (mm)	Thickness (mm)	PRICE (Rs.)
1	3.0	1.0	1.0	1209
2	3.5	1.0	1.0	1176
3	4.0	1.2	1.2	844
4	5.0	1.6	1.6	569
5	6.0	1.6	1.6	482
6	7.0	1.8	1.8	500
7	8.0	2.0	2.0	326
8	10.0	2.5	2.5	303
9	12.0	2.5	2.5	303
10	14.0	3.0	3.0	300
11	16.0	3.5	3.5	289
12	18.0	3.5	3.5	287
13	20.0	4.5	4.5	289
14	22.0	4.5	4.5	300
15	24.0	5.0	5.0	300
16	27.0	5.0	5.0	300
17	30.0	6.0	6.0	300
18	33.0	6.0	6.0	311
19	36.0	7.0	7.0	311
20	39.0	7.0	7.0	311
21	42.0	8.0	8.0	325
22	45.0	8.0	8.0	325
23	48.0	8.0	8.0	325

Sr. No.	AS PER IS-3063 (DIN 127B) - FLAT SECTION			
	Nominal Size (mm)	Width (mm)	Thickness (mm)	PRICE (Rs.)
1	3.0	1.3	0.8	1191
2	3.5	1.3	0.8	1158
3	4.0	1.5	0.9	769
4	5.0	1.8	1.2	481
5	6.0	2.5	1.6	369
6	7.0	2.5	1.6	402
7	8.0	3.0	2.0	340
8	10.0	3.5	2.2	324
9	12.0	4.0	2.5	321
10	14.0	4.5	3.0	316
11	16.0	5.0	3.5	296
12	18.0	5.0	3.5	313
13	20.0	6.0	4.0	296
14	22.0	6.0	4.0	298
15	24.0	7.0	5.0	296
16	27.0	7.0	5.0	296
17	30.0	8.0	6.0	313
18	33.0	10.0	6.0	322
19	36.0	10.0	6.0	316
20	39.0	10.0	6.0	324
21	42.0	12.0	7.0	316
22	45.0	12.0	7.0	324
23	48.0	12.0	7.0	316

RECOMMENDED SALE PRICE PER KG.

Spring Washers (EN 42) - JIS Standard

Sr. No.	JIS Washers			
	Nominal Size (mm)	Width (mm)	Thickness (mm)	PRICE (Rs.)
1	5.0	1.7	1.3	244
2	6.0	2.7	1.9	382
3	8.0	3.3	2.5	805
4	10.0	3.9	3.0	1284
5	12.0	4.4	3.6	2038
6	14.0	4.8	4.2	2725

Sr. No.	JIS Washers			
	Nominal Size (mm)	Width (mm)	Thickness (mm)	PRICE (Rs.)
7	16.0	5.3	4.8	3997
8	18.0	5.9	5.4	5356
9	20.0	6.4	6.0	6831
10	22.0	7.0	6.8	9216
11	24.0	7.6	7.2	12118
12	27.0	8.6	8.3	21053

RECOMMENDED SALE PRICE FOR 1000 PCS.

1. Material : High grade Spring steel.
2. Plating : No guarantee can be given for products which are plated by users or by outside plates, who may not have considered hydrogen embrittlement problem.

Standards



For enquiry call : +161-4611418, 4606917, 4637918, +91-93576 81418

Web : www.singhaniainternational.com | www.sturdfix.com

Email Us : singhaniaint@gmail.com | info@singhaniainternational.com

Works Address : C-25, Phase-1, Focal Point, Dhandari Kalan, Ludhiana-141010, Punjab, India

Regd. Office : B-XVI-737-First Floor, Vishwakarma Street, Gill Road, Ludhiana-141003, Punjab, India

